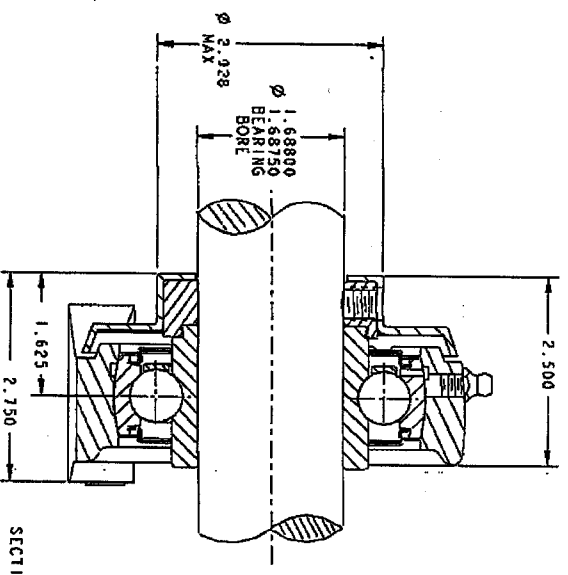
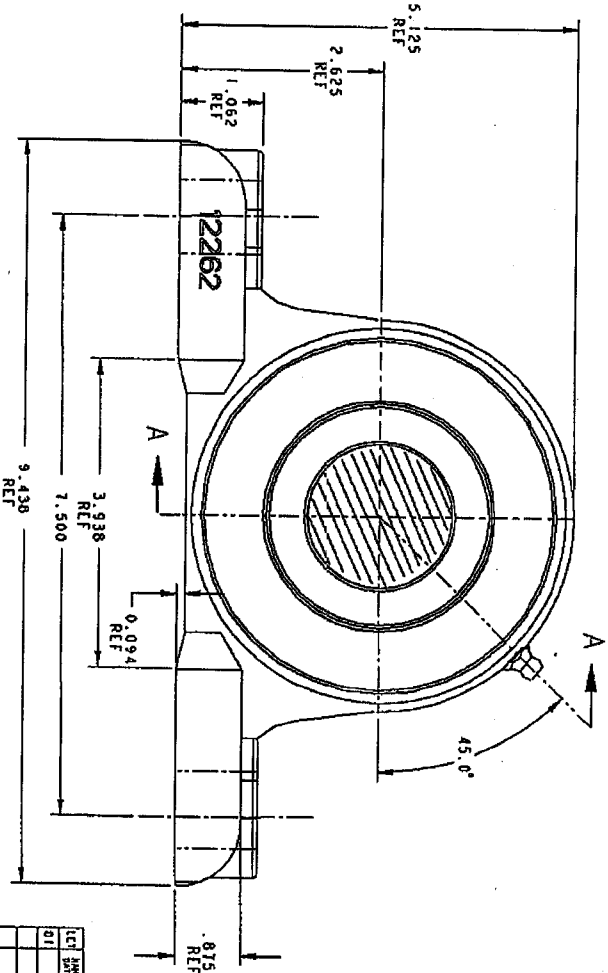
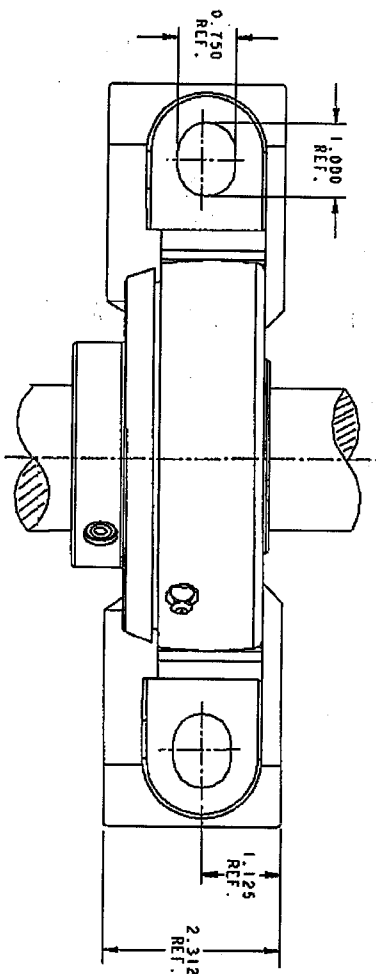


FOR SERVICE, REFER TO THE CONSTRUCTION AND TESTING MANUAL, PART 1, SECTION 1.1. THE DRAWING IS THE PROPERTY OF TIMKEN ROLLING CORP. IT IS TO BE USED ONLY FOR THE PURPOSES INTENDED AND IS NOT TO BE REPRODUCED OR TRANSMITTED IN ANY FORM OR BY ANY MEANS, ELECTRONIC OR MECHANICAL, INCLUDING PHOTOCOPYING, RECORDING, OR BY ANY INFORMATION STORAGE AND RETRIEVAL SYSTEM. THE COMPANY ASSUMES NO LIABILITY FOR DAMAGES OF ANY KIND, INCLUDING CONSEQUENTIAL DAMAGES, ARISING FROM THE USE OF THIS DRAWING. THE COMPANY ASSUMES NO LIABILITY FOR DAMAGES OF ANY KIND, INCLUDING CONSEQUENTIAL DAMAGES, ARISING FROM THE USE OF THIS DRAWING.



ASSEMBLE BEARING INTO HOUSING IN ACCORDANCE WITH E-8801.

PARTS LIST

NUMBER REQUIRED	PART NAME	PART DESCRIPTION	MATERIAL
1	BEARING	GULLIKRB2 L/C FS612	STD
1	COLLAR-FLINGER HOUSING(MACH)	SM11KD3 FLINGER/COLLAR	STD
1	FITTING	A1Z262 I 11/16	CAST IRON
1	TYPE 1	1/8 P. 1. #11	STD
		PLATE IDENTIFICATION	VINYL

REV	DATE	BY	CHKD	REVISION / TOP *	INITIALS	SCALE	NOTE
01				INITIAL			

DESIGNED BY	DATE	APPROVED BY	DATE
REVISIONS	BY	DATE	DESCRIPTION
1			
2			
3			
4			
5			
6			
7			
8			
9			
10			

ALL 10 / 10 TRACTOR BMS 1.018	10
<b>TIMKEN</b>	
CUSTOMER DRAWING	B/PI3048
C91622	01